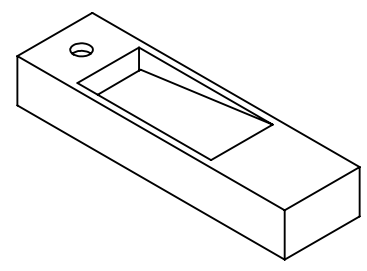


4 3 2 1

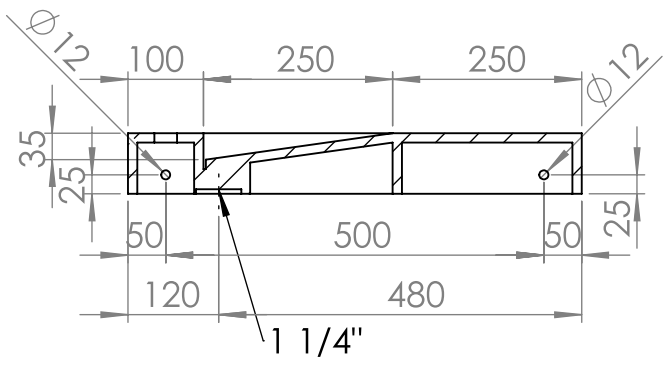
F

F



E

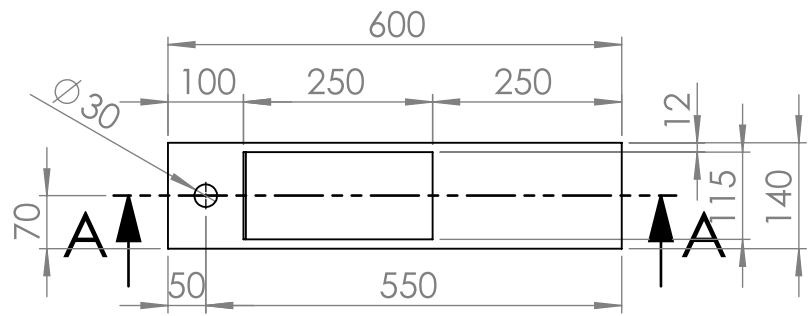
E



SECTION A-A

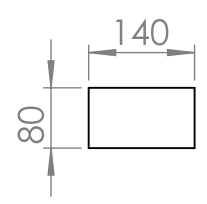
D

D



C

C



B

B

UNLESS OTHERWISE SPECIFIED:  
DIMENSIONS ARE IN MILLIMETERS  
SURFACE FINISH:  
TOLERANCES:  
LINEAR:  
ANGULAR:

FINISH:

DEBURR AND  
BREAK SHARP  
EDGES

DO NOT SCALE DRAWING

REVISION

*Marike*<sup>®</sup> [www.marike.com](http://www.marike.com)

	NAME	SIGNATURE	DATE	
DRAWN				
CHK'D				
APPV'D				
MFG				
Q.A				

TITLE:  
**Marike - BLOK600L**

DWG NO.  
**MABWL600**

SCALE:1:10

SHEET 1 OF 1

A4

A

A

4 3 2 1