

4 3 2 1

F

F

E

E

D

D

C

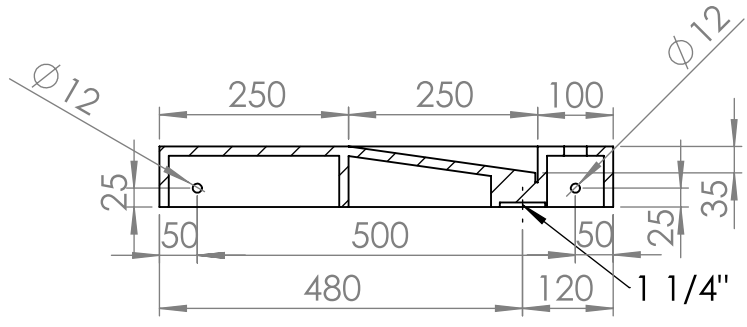
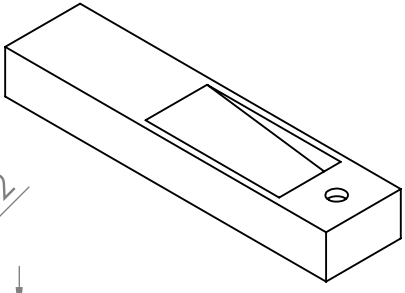
C

B

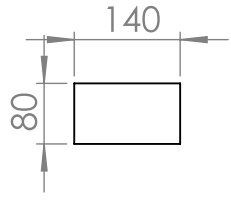
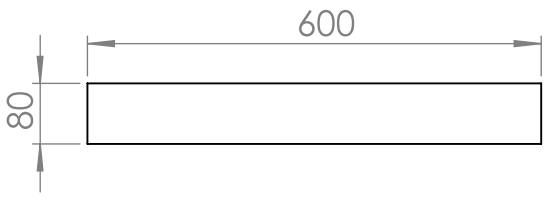
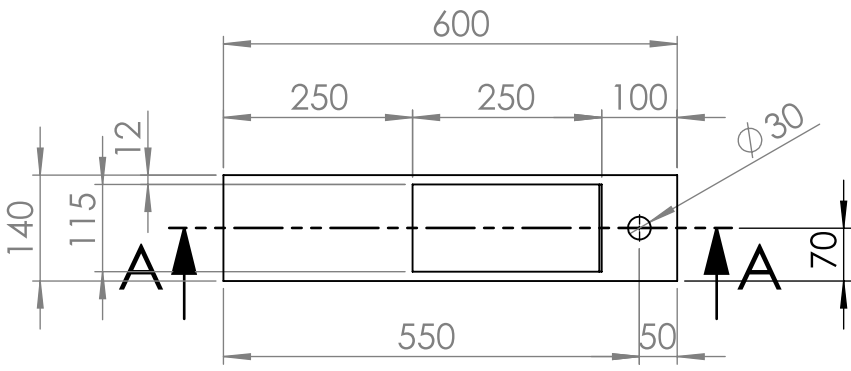
B

A

A



SECTION A-A



UNLESS OTHERWISE SPECIFIED:
DIMENSIONS ARE IN MILLIMETERS
SURFACE FINISH:
TOLERANCES:
LINEAR:
ANGULAR:

FINISH:

DEBURR AND
BREAK SHARP
EDGES

DO NOT SCALE DRAWING

REVISION

Marike® www.marike.com

NAME	SIGNATURE	DATE
DRAWN		
CHK'D		
APPV'D		
MFG		
Q.A		

TITLE:
Marike - 600R

DWG NO.
MABWR600

SCALE: 1:10

SHEET 1 OF 1

MATERIAL:

WEIGHT:

A4

4 3 2 1