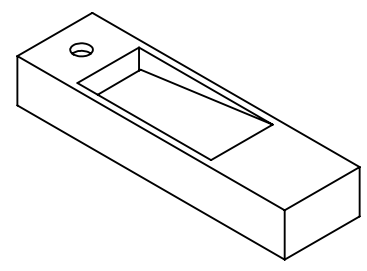


4 3 2 1

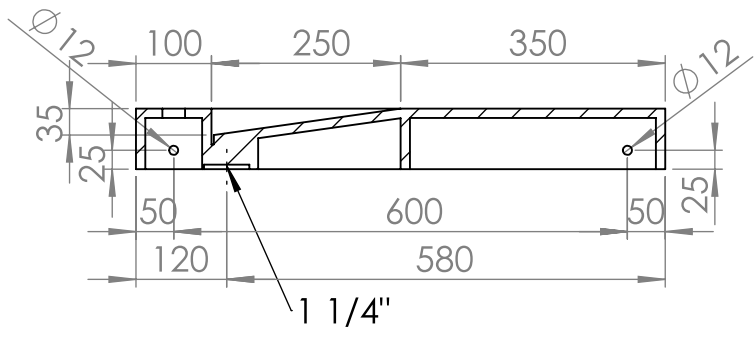
F

F



E

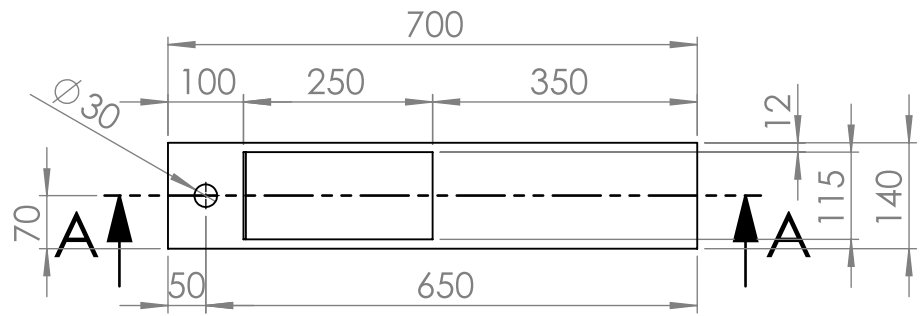
E



SECTION A-A

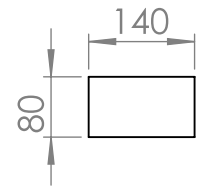
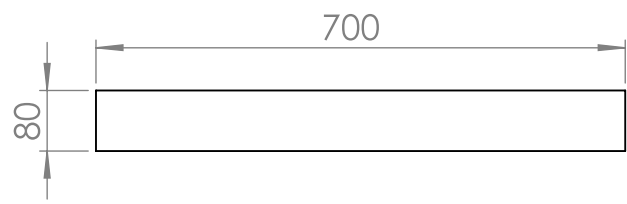
D

D



C

C



B

B

UNLESS OTHERWISE SPECIFIED:  
DIMENSIONS ARE IN MILLIMETERS  
SURFACE FINISH:  
TOLERANCES:  
LINEAR:  
ANGULAR:

FINISH:

DEBURR AND  
BREAK SHARP  
EDGES

DO NOT SCALE DRAWING

REVISION

*Marike*<sup>®</sup> [www.marike.com](http://www.marike.com)

	NAME	SIGNATURE	DATE
DRAWN			
CHK'D			
APPV'D			
MFG			
Q.A			

TITLE:	<b>Marike - BLOK700L</b>	
DWG NO.	<b>MABWL700</b>	A4
SCALE:	1:10	SHEET 1 OF 1

A

A

4 3 2 1