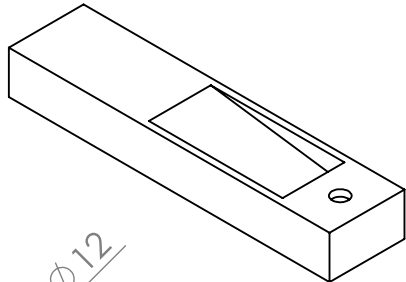


4 3 2 1

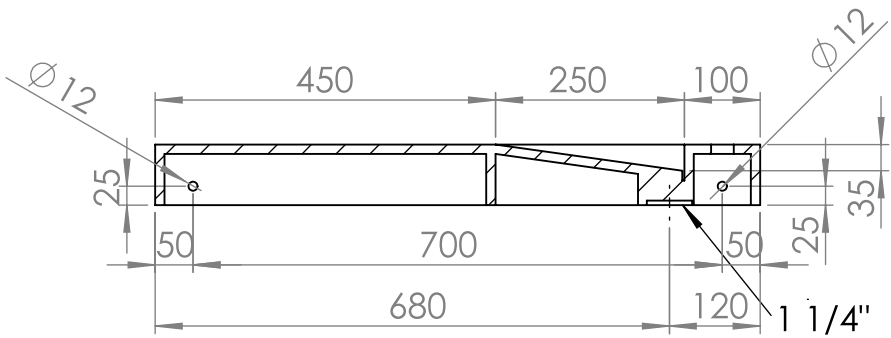
F

F



E

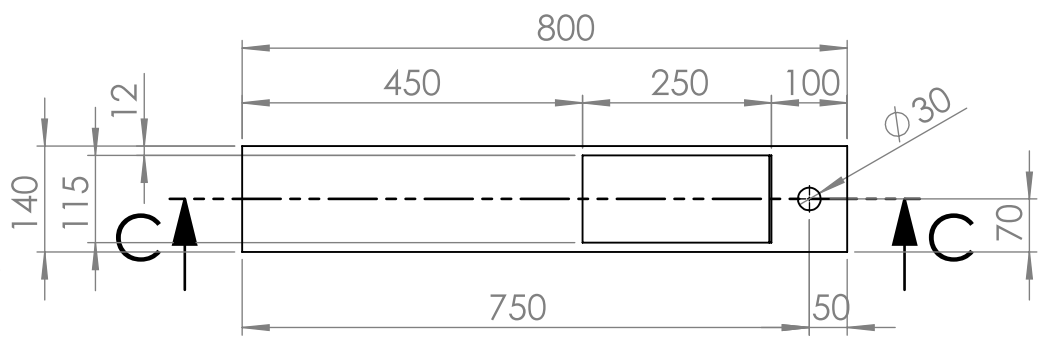
E



SECTION C-C

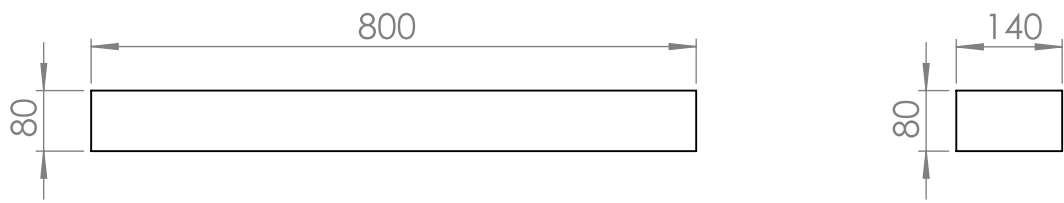
D

D



C

C



B

B

UNLESS OTHERWISE SPECIFIED:  
DIMENSIONS ARE IN MILLIMETERS  
SURFACE FINISH:  
TOLERANCES:  
LINEAR:  
ANGULAR:

FINISH:

DEBURR AND  
BREAK SHARP  
EDGES

DO NOT SCALE DRAWING

REVISION

*Marike*<sup>®</sup>

[www.marike.com](http://www.marike.com)

	NAME	SIGNATURE	DATE
DRAWN			
CHK'D			
APPV'D			
MFG			
Q.A			

TITLE:	<b>Marike - 800R</b>
DWG NO.	<b>MABWR800</b>
SCALE: 1:10	SHEET 1 OF 1

A

A

4 3 2 1