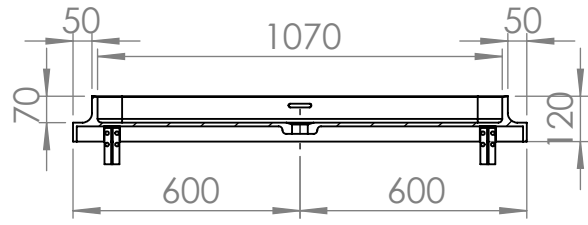
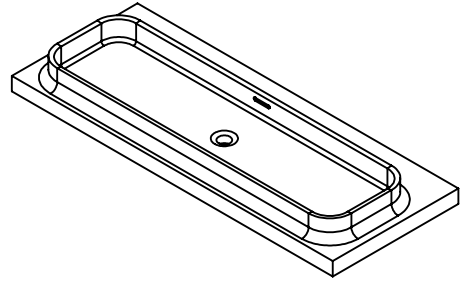


4 3 2 1

F

F



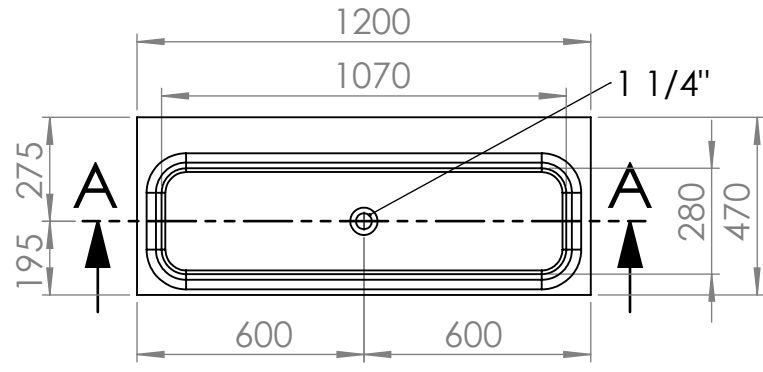
SECTION A-A

E

E

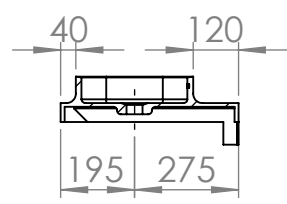
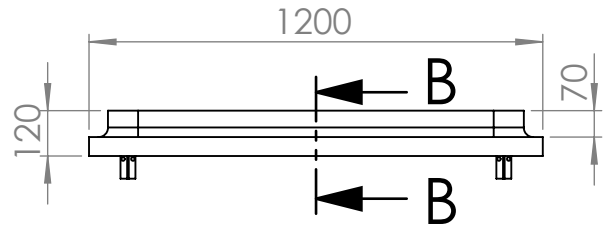
D

D



C

C



SECTION B-B

B

B

UNLESS OTHERWISE SPECIFIED:
DIMENSIONS ARE IN MILLIMETERS
SURFACE FINISH:
TOLERANCES:
LINEAR:
ANGULAR:

FINISH:

DEBURR AND
BREAK SHARP
EDGES

DO NOT SCALE DRAWING

REVISION

	NAME	SIGNATURE	DATE
DRAWN			
CHK'D			
APPV'D			
MFG			
Q.A			

TITLE: **Marike-C71200**

DWG NO. _____

MATERIAL: _____

WEIGHT: _____

SCALE: 1:20

SHEET 1 OF 1

A

A

A4

4 3 2 1