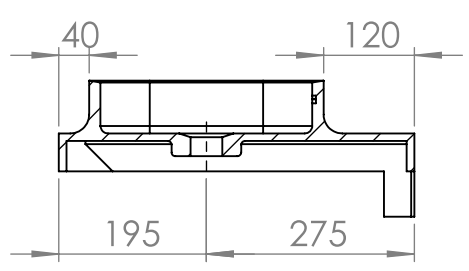
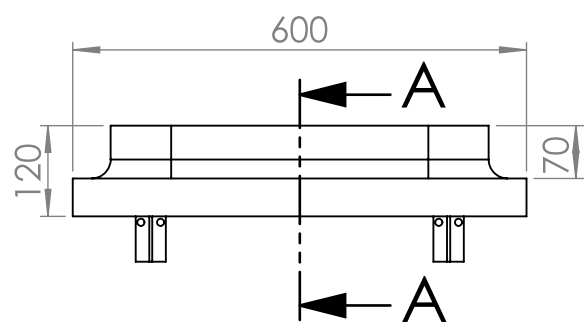
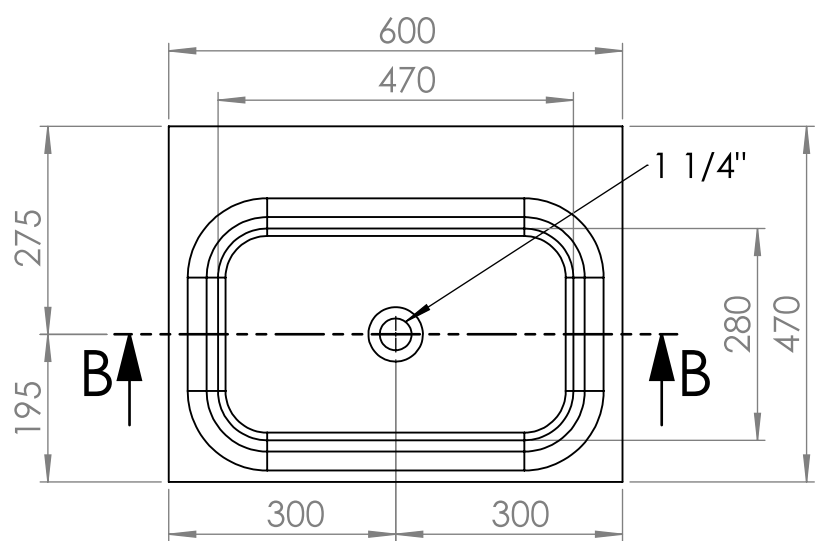
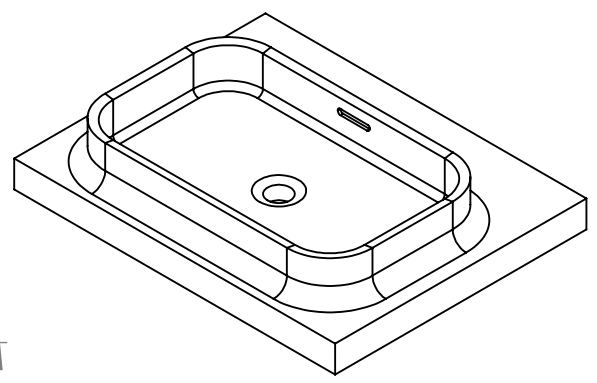


SECTION B-B



SECTION A-A

UNLESS OTHERWISE SPECIFIED:
 DIMENSIONS ARE IN MILLIMETERS
 SURFACE FINISH:
 TOLERANCES:
 LINEAR:
 ANGULAR:

FINISH:

DEBURR AND
 BREAK SHARP
 EDGES

DO NOT SCALE DRAWING

REVISION

NAME	SIGNATURE	DATE
DRAWN		
CHK'D		
APPV'D		
MFG		
Q.A		

MATERIAL:

WEIGHT:

Marike[®]

DWG NO. **Marike-C7600-2D** A4

SCALE: 1:10 SHEET 1 OF 1