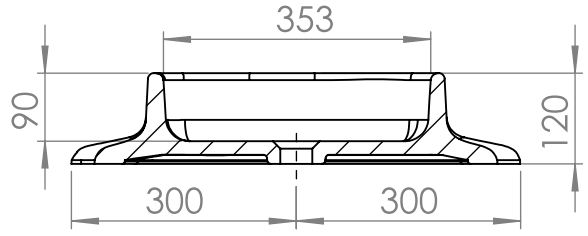
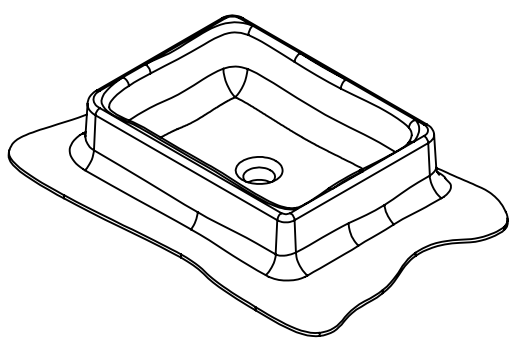


4 3 2 1

F

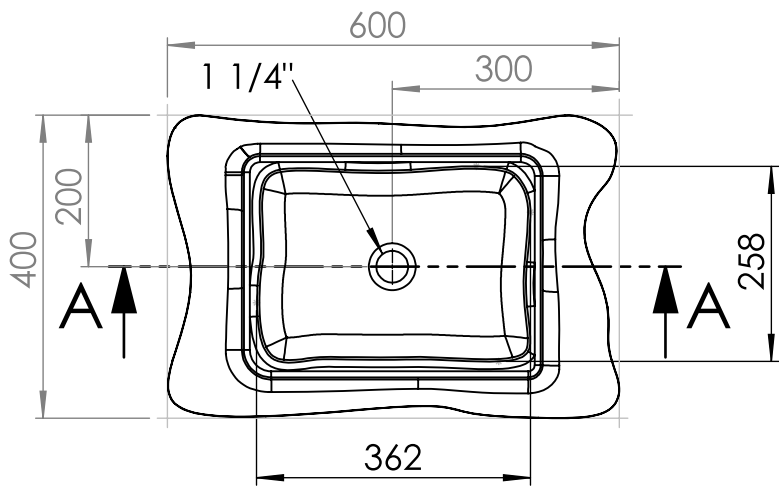
F



SECTION A-A

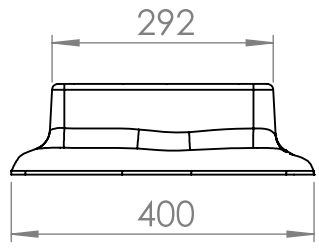
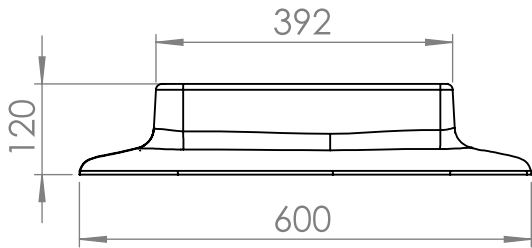
E

E



D

D



C

C

B

B

UNLESS OTHERWISE SPECIFIED:  
DIMENSIONS ARE IN MILLIMETERS  
SURFACE FINISH:  
TOLERANCES:  
LINEAR:  
ANGULAR:

FINISH:

DEBURR AND  
BREAK SHARP  
EDGES

DO NOT SCALE DRAWING

REVISION

	NAME	SIGNATURE	DATE
DRAWN			
CHK'D			
APPV'D			
MFG			
Q.A			

MATERIAL:

WEIGHT:

*Marike*<sup>®</sup>

DWG NO.

CHOCOLATE

A4

SCALE:1:10

SHEET 1 OF 1

A

A

4 3 2 1