

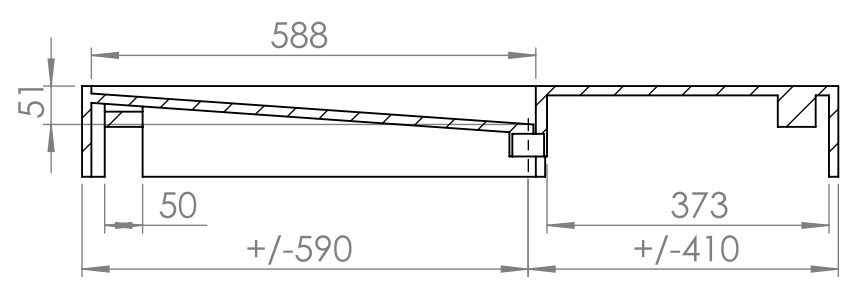
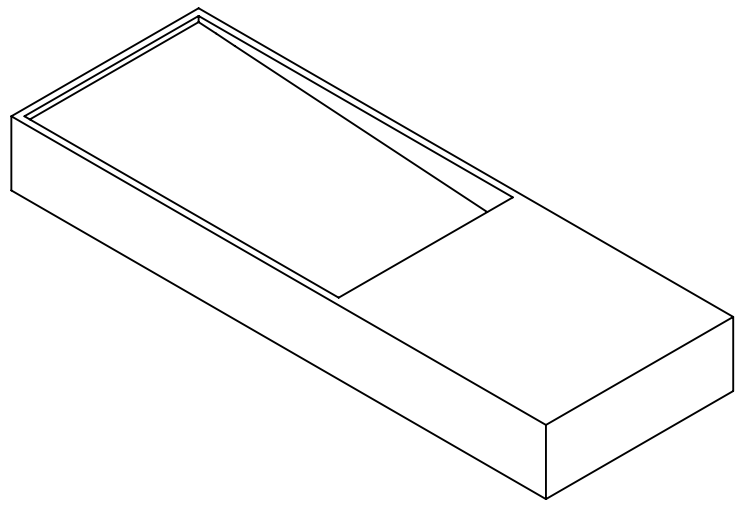
4 3 2 1

F

F

E

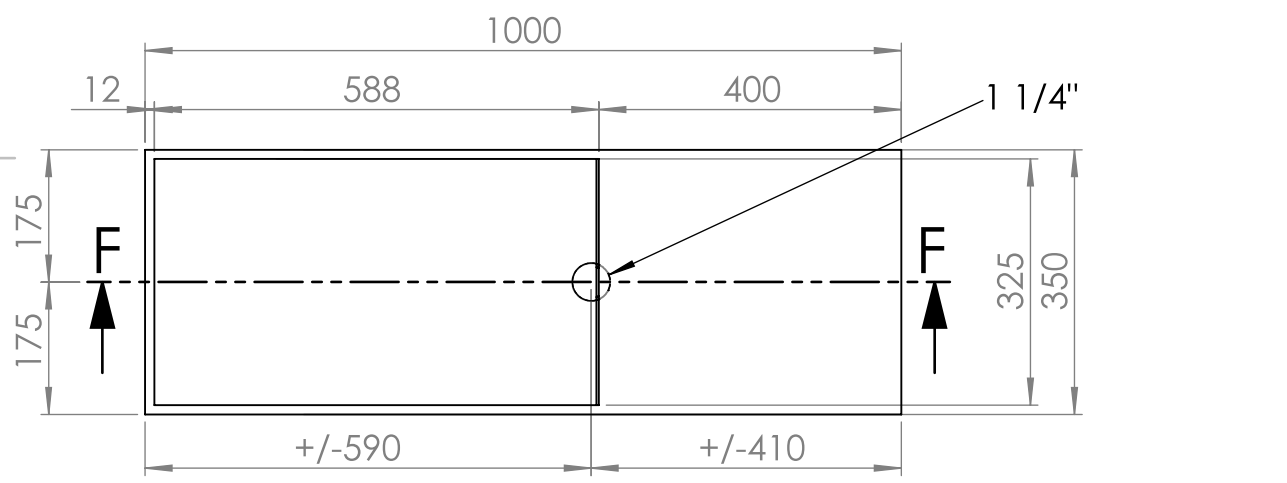
E



SECTION F-F

D

D

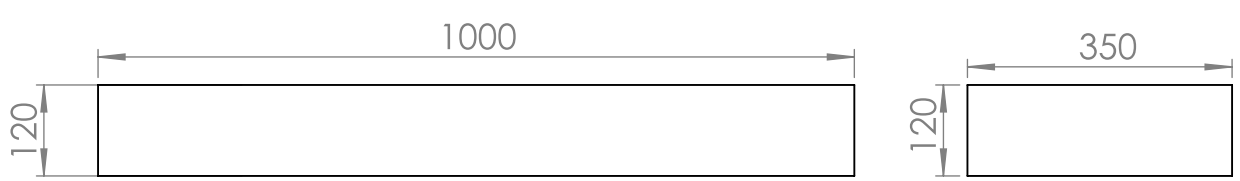


C

C

B

B



UNLESS OTHERWISE SPECIFIED: DIMENSIONS ARE IN MILLIMETERS SURFACE FINISH: TOLERANCES: LINEAR: ANGULAR:	FINISH:	DEBURR AND BREAK SHARP EDGES	DO NOT SCALE DRAWING	REVISION

	NAME	SIGNATURE	DATE
DRAWN			
CHK'D			
APPV'D			
MFG			
Q.A			

Marike[®]

DWG NO. **CLASS-1000R-2D**

SCALE: 1:10

SHEET 1 OF 1

A4

A

A

4 3 2 1