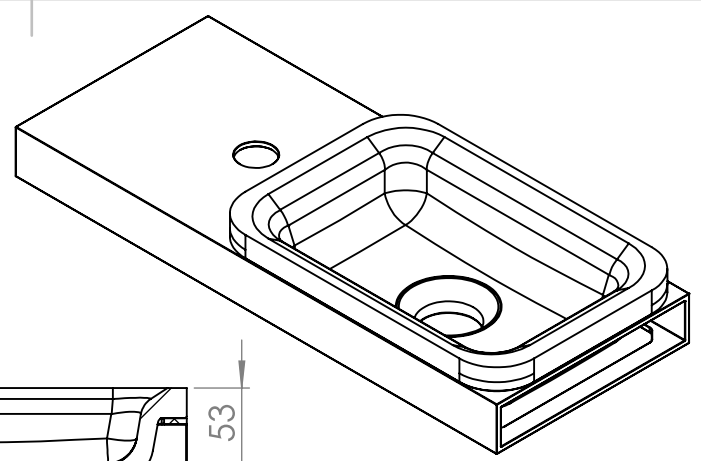


4 3 2 1

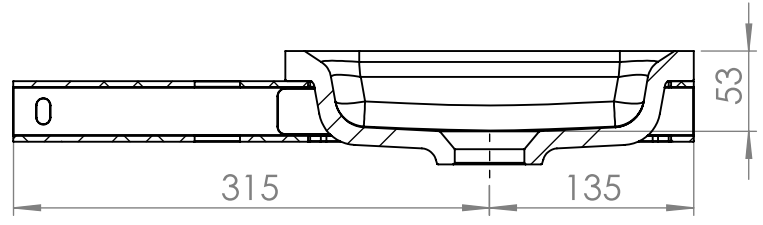
F

F



E

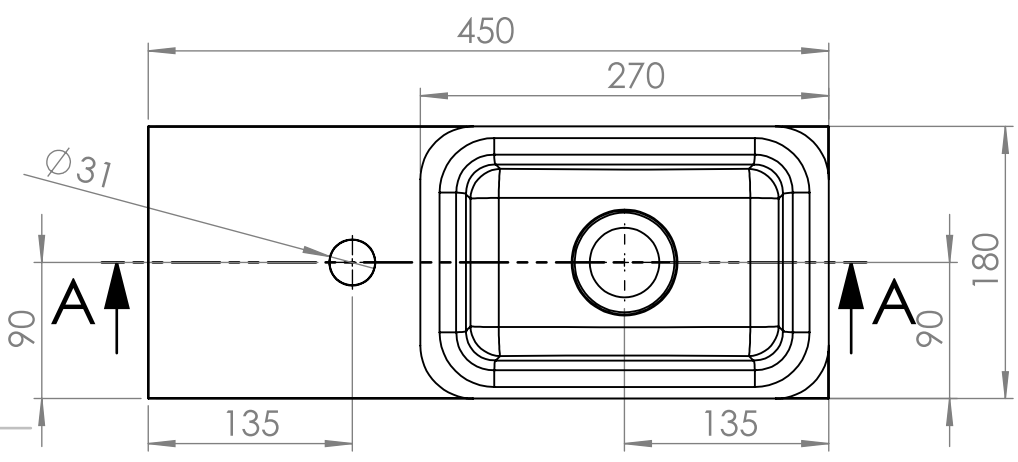
E



SECTION A-A

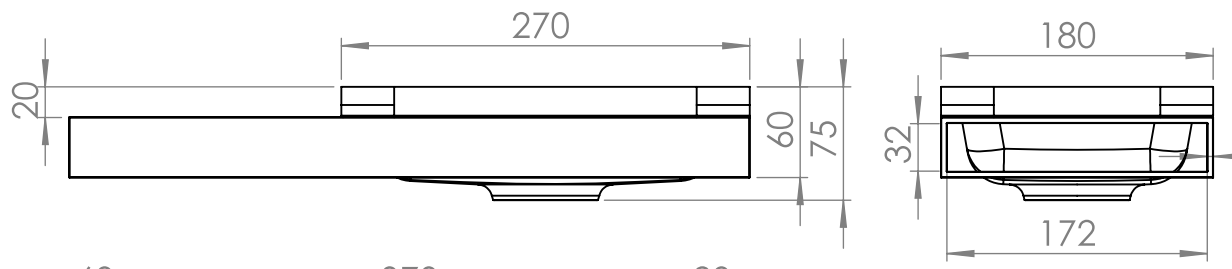
D

D



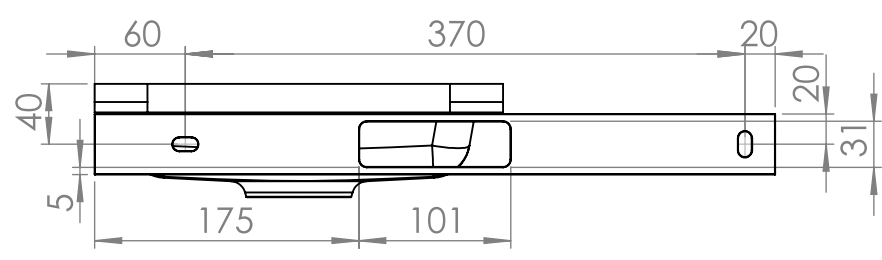
C

C



B

B



UNLESS OTHERWISE SPECIFIED: DIMENSIONS ARE IN MILLIMETERS SURFACE FINISH: TOLERANCES: LINEAR: ANGULAR:	FINISH:	DEBURR AND BREAK SHARP EDGES	DO NOT SCALE DRAWING	REVISION

	NAME	SIGNATURE	DATE
DRAWN			
CHK'D			
APPV'D			
MFG			
Q.A			

Marike[®]
Easy
A4

WEIGHT:	SCALE: 1:10	SHEET 1 OF 1
---------	-------------	--------------

4 3 2 1

A

A