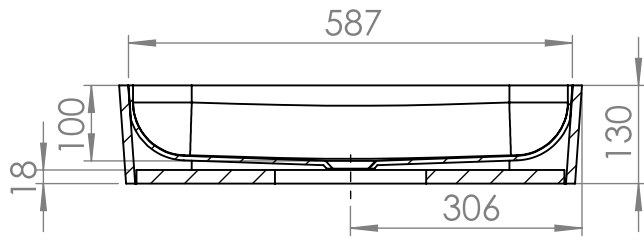
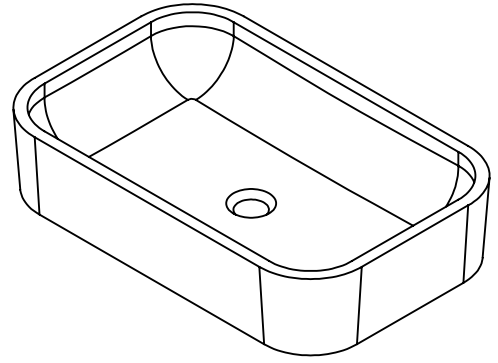


4 3 2 1

F

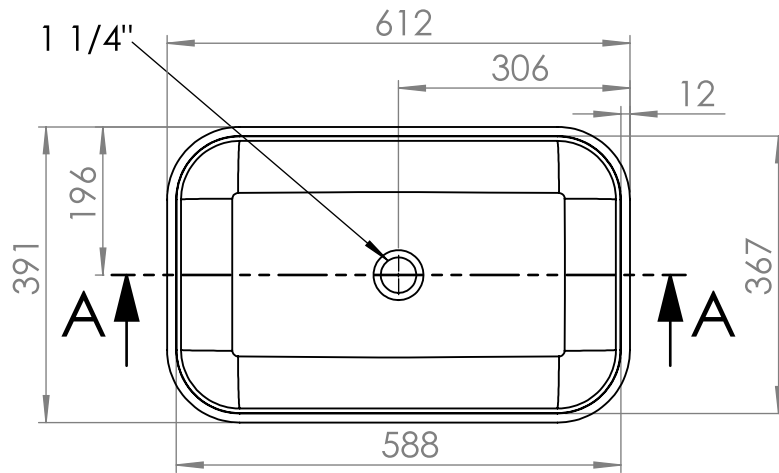
F



SECTION A-A

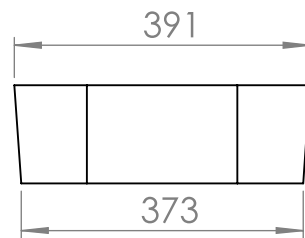
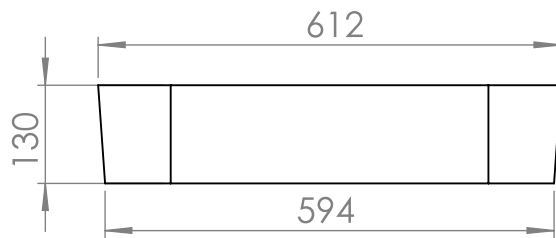
E

E



D

D



C

C

B

B

UNLESS OTHERWISE SPECIFIED:  
DIMENSIONS ARE IN MILLIMETERS  
SURFACE FINISH:  
TOLERANCES:  
LINEAR:  
ANGULAR:

FINISH:

DEBURR AND  
BREAK SHARP  
EDGES

DO NOT SCALE DRAWING

REVISION

	NAME	SIGNATURE	DATE
DRAWN			
CHK'D			
APPV'D			
MFG			
Q.A			

MATERIAL:

DWG NO.

**cabanel-130**

A4

WEIGHT:

SCALE:1:10

SHEET 1 OF 1

A

A

4 3 2 1

4 3 2 1

F

F

E

E

D

D

C

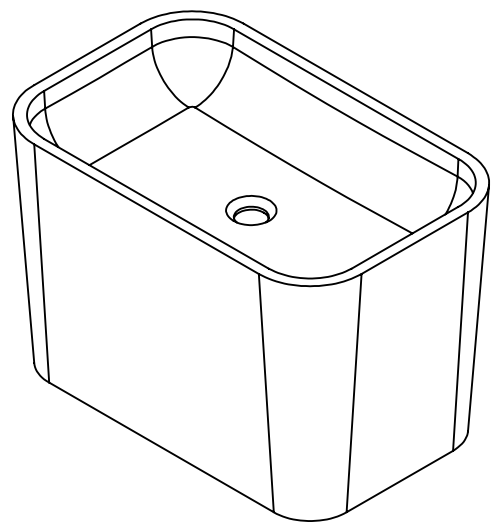
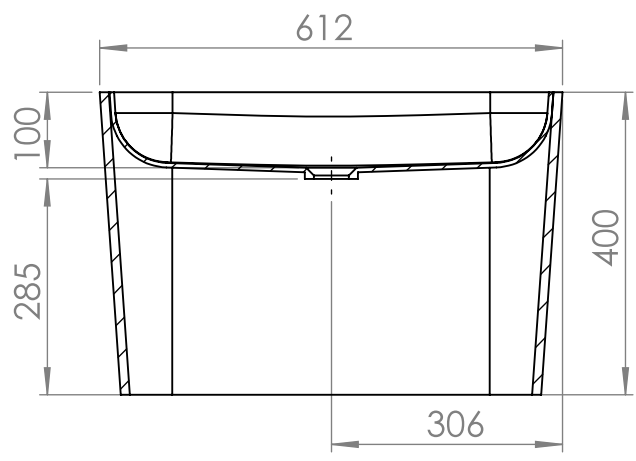
C

B

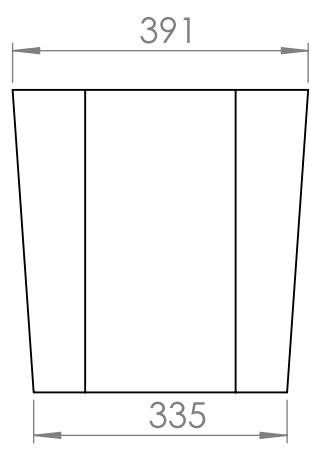
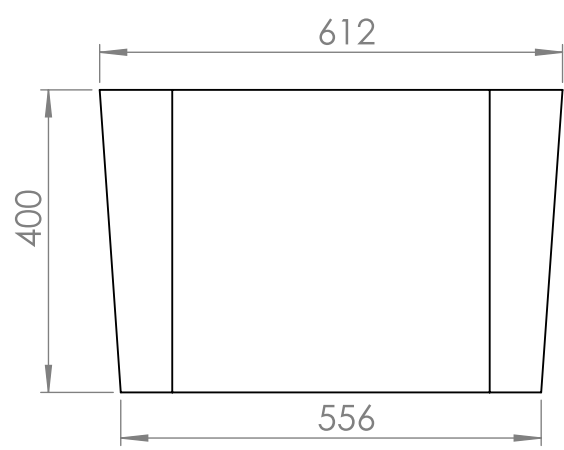
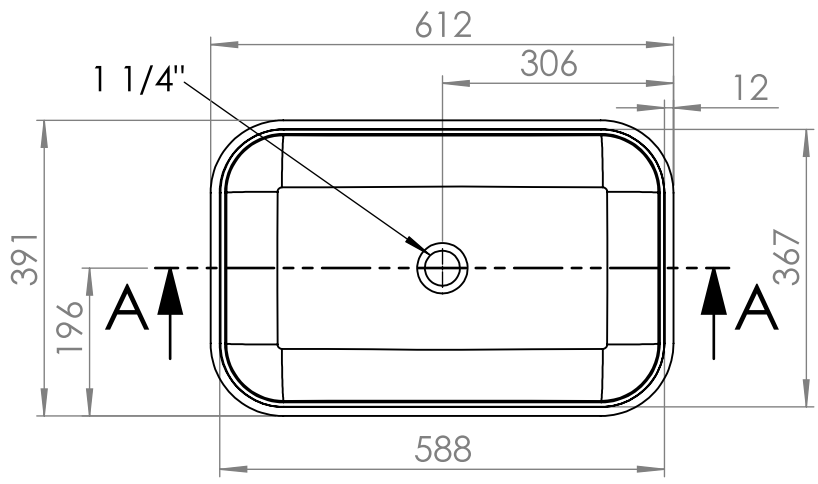
B

A

A



SECTION A-A



UNLESS OTHERWISE SPECIFIED:  
DIMENSIONS ARE IN MILLIMETERS  
SURFACE FINISH:  
TOLERANCES:  
LINEAR:  
ANGULAR:

FINISH:  
  
DEBURR AND  
BREAK SHARP  
EDGES

DO NOT SCALE DRAWING REVISION

	NAME	SIGNATURE	DATE
DRAWN			
CHK'D			
APPV'D			
MFG			
Q.A			

*Marike*<sup>®</sup>

DWG NO. CABANEL400 A4

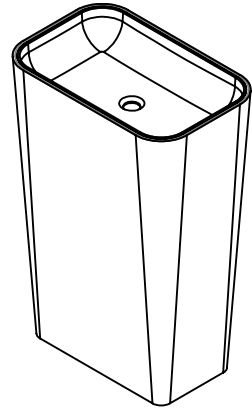
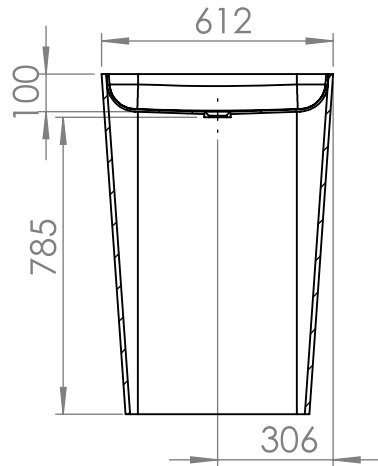
WEIGHT: SCALE:1:10 SHEET 1 OF 1

4 3 2 1

4 3 2 1

F

F



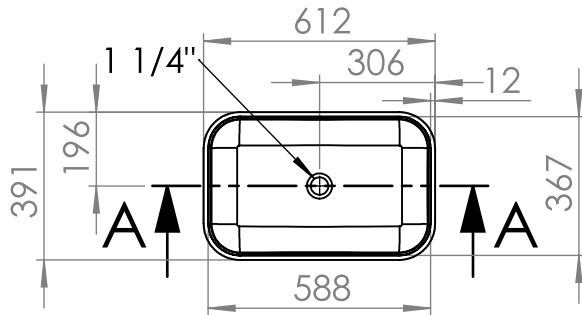
E

E

SECTION A-A

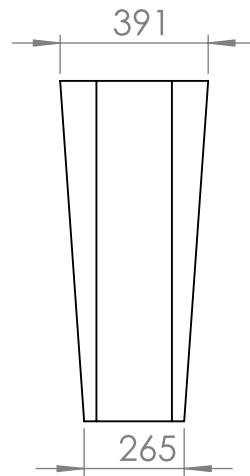
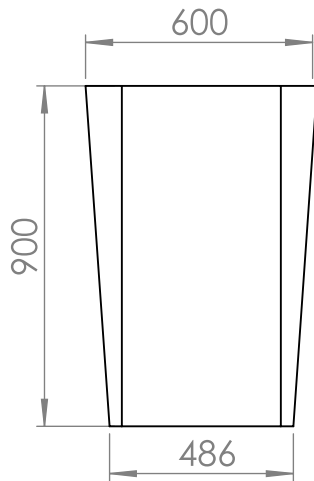
D

D



C

C



B

B

UNLESS OTHERWISE SPECIFIED:  
DIMENSIONS ARE IN MILLIMETERS  
SURFACE FINISH:  
TOLERANCES:  
LINEAR:  
ANGULAR:

FINISH:

DEBURR AND  
BREAK SHARP  
EDGES

DO NOT SCALE DRAWING

REVISION

A

A

	NAME	SIGNATURE	DATE
DRAWN			
CHK'D			
APPV'D			
MFG			
Q.A			

*Marike*<sup>®</sup>

DWG NO.

CABANEL900

A4

WEIGHT:

SCALE:1:10

SHEET 1 OF 1

4 3 2 1