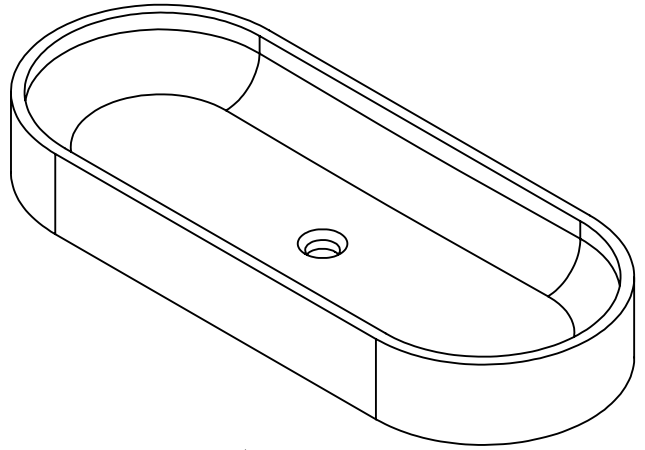


4 3 2 1

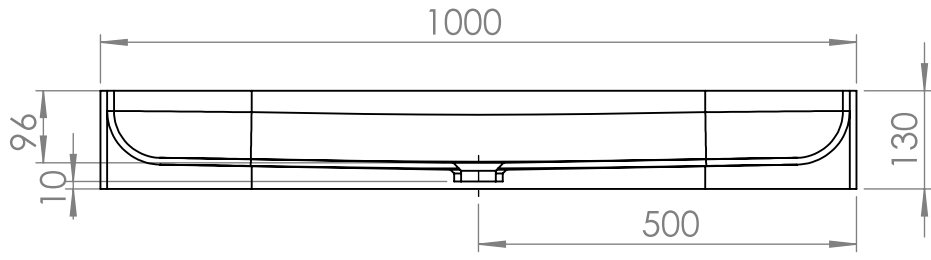
F

F



E

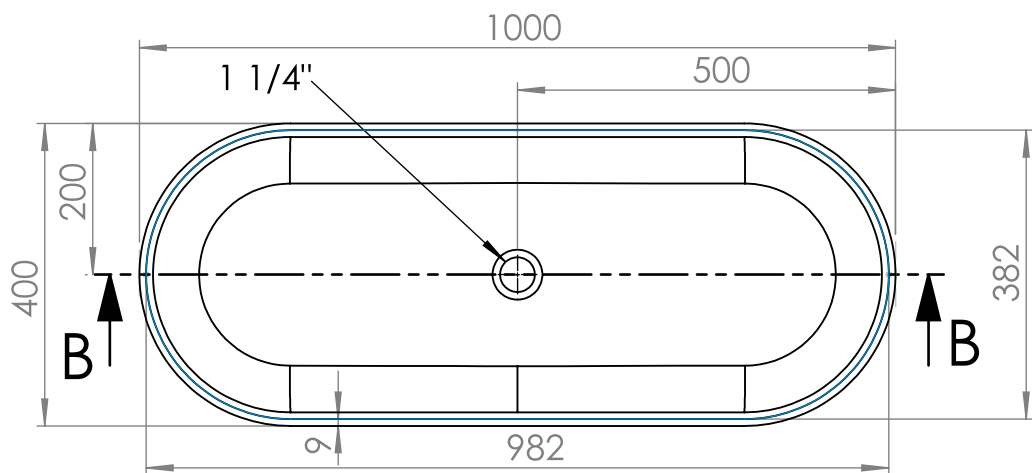
E



SECTION B-B

D

D

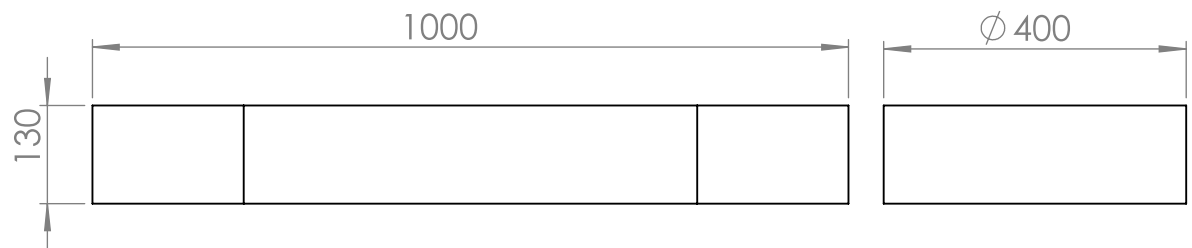


C

C

B

B



UNLESS OTHERWISE SPECIFIED:  
DIMENSIONS ARE IN MILLIMETERS  
SURFACE FINISH:  
TOLERANCES:  
LINEAR:  
ANGULAR:

FINISH:

DEBURR AND  
BREAK SHARP  
EDGES

DO NOT SCALE DRAWING

REVISION

	NAME	SIGNATURE	DATE
DRAWN			
CHK'D			
APPV'D			
MFG			
Q.A			

MATERIAL:

DWG NO.

**CEZANNE130**

A4

WEIGHT:

SCALE:1:20

SHEET 1 OF 1

4 3 2 1

A

A

4 3 2 1

F

F

E

E

D

D

C

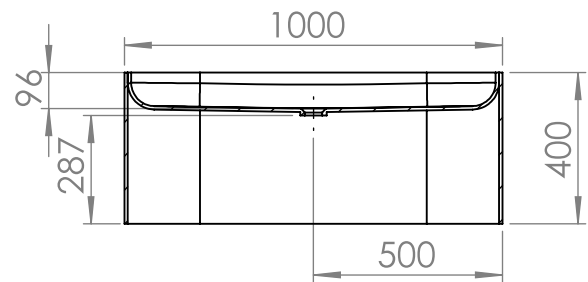
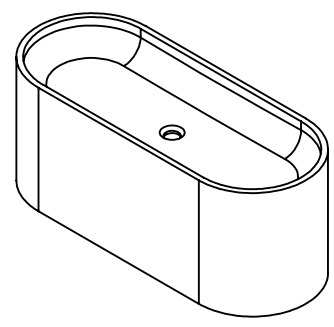
C

B

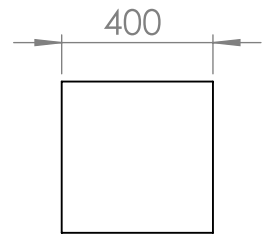
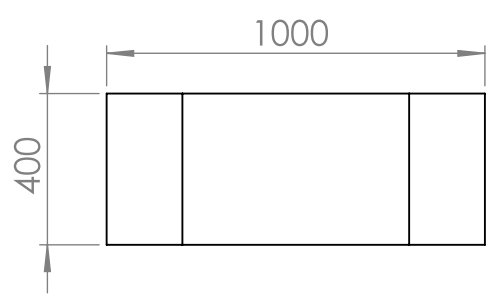
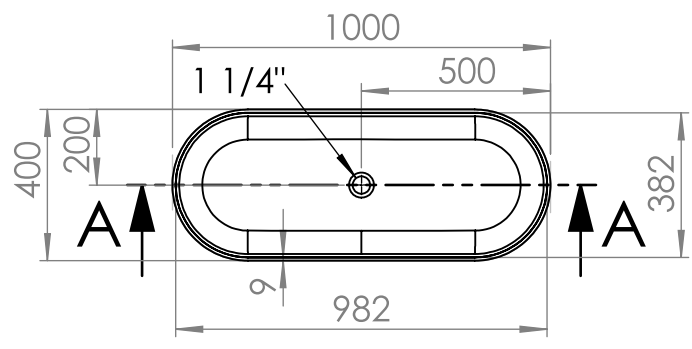
B

A

A



SECTION A-A



UNLESS OTHERWISE SPECIFIED:  
 DIMENSIONS ARE IN MILLIMETERS  
 SURFACE FINISH:  
 TOLERANCES:  
 LINEAR:  
 ANGULAR:

FINISH:

DEBURR AND  
 BREAK SHARP  
 EDGES

DO NOT SCALE DRAWING

REVISION

	NAME	SIGNATURE	DATE
DRAWN			
CHK'D			
APPV'D			
MFG			
Q.A			

MATERIAL:

DWG NO.

# CEZANNE400

A4

WEIGHT:

SCALE: 1:20

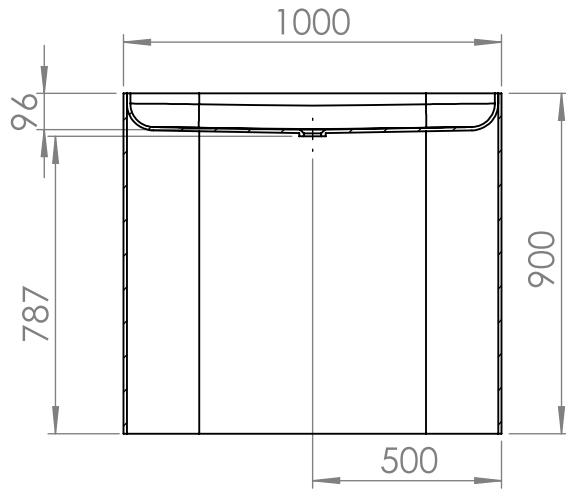
SHEET 1 OF 1

4 3 2 1

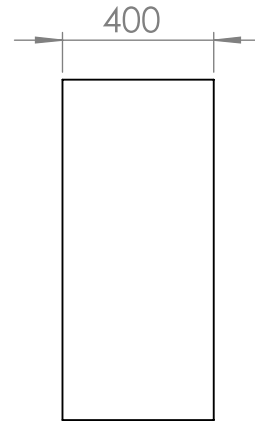
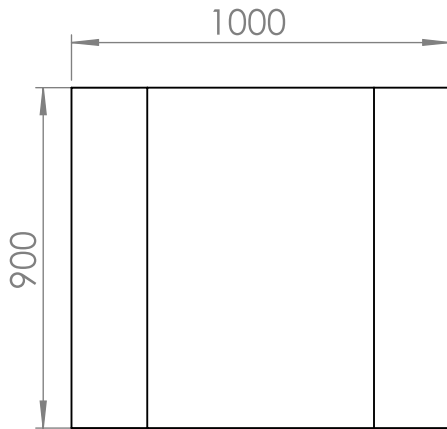
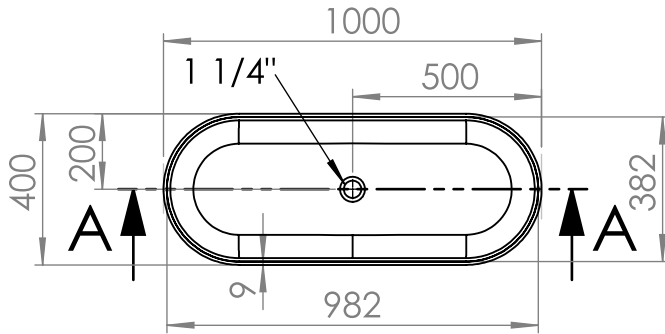
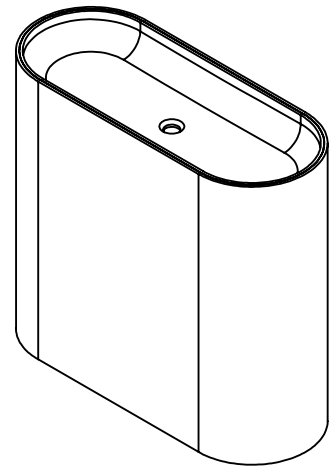
4 3 2 1

F  
E  
D  
C  
B

F  
E  
D  
C  
B



SECTION A-A



UNLESS OTHERWISE SPECIFIED:  
DIMENSIONS ARE IN MILLIMETERS  
SURFACE FINISH:  
TOLERANCES:  
LINEAR:  
ANGULAR:

FINISH:

DEBURR AND  
BREAK SHARP  
EDGES

DO NOT SCALE DRAWING

REVISION

	NAME	SIGNATURE	DATE
DRAWN			
CHK'D			
APPV'D			
MFG			
Q.A			

MATERIAL:

WEIGHT:

*Marike*<sup>®</sup>

DWG NO.

CEZANNE900

A4

SCALE: 1:20

SHEET 1 OF 1

4 3 2 1

A

A