

4 3 2 1

F

F

E

E

D

D

C

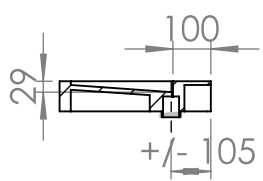
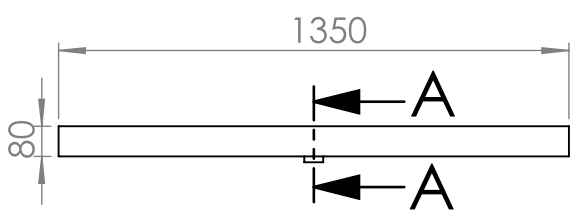
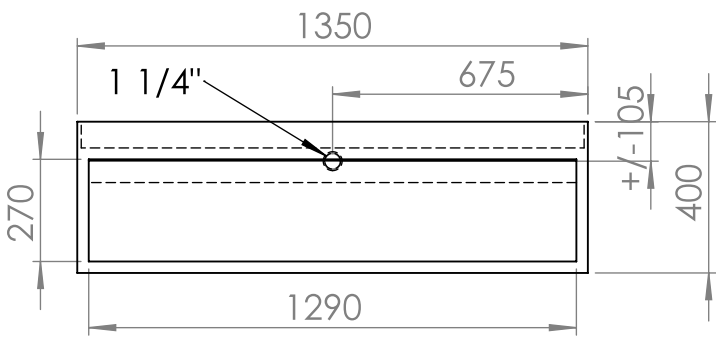
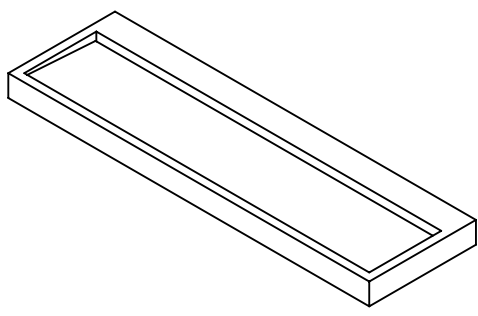
C

B

B

A

A



SECTION A-A

UNLESS OTHERWISE SPECIFIED:
 DIMENSIONS ARE IN MILLIMETERS
 SURFACE FINISH:
 TOLERANCES:
 LINEAR:
 ANGULAR:

FINISH:

DEBURR AND
 BREAK SHARP
 EDGES

DO NOT SCALE DRAWING

REVISION

| | NAME | SIGNATURE | DATE |
|--------|------|-----------|------|
| DRAWN | | | |
| CHK'D | | | |
| APPV'D | | | |
| MFG | | | |
| Q.A | | | |

Marike®

MATERIAL:

DWG NO.

MAEW135__

A4

WEIGHT:

SCALE:1:10

SHEET 1 OF 1

4 3 2 1