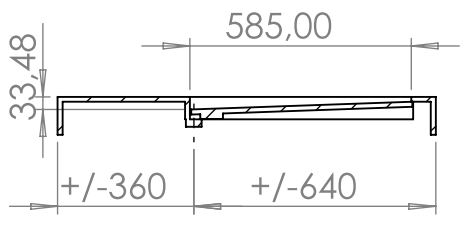
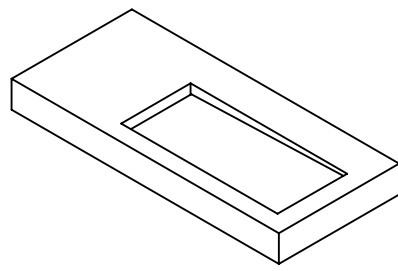


4 3 2 1

F

F



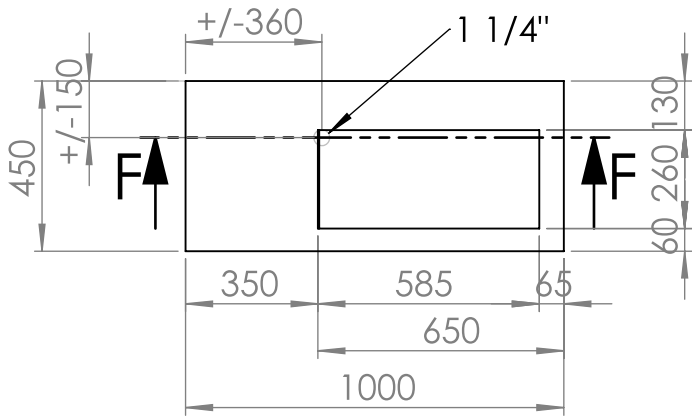
SECTION F-F

E

E

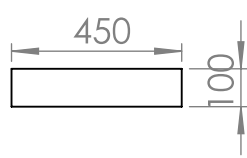
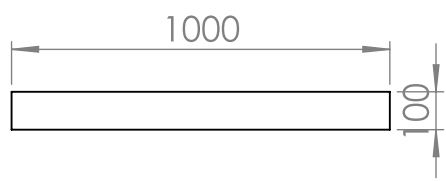
D

D



C

C



B

B

UNLESS OTHERWISE SPECIFIED:
DIMENSIONS ARE IN MILLIMETERS
SURFACE FINISH:
TOLERANCES:
LINEAR:
ANGULAR:

FINISH:

DEBURR AND
BREAK SHARP
EDGES

DO NOT SCALE DRAWING

REVISION

A

A

| | NAME | SIGNATURE | DATE |
|--------|------|-----------|------|
| DRAWN | | | |
| CHK'D | | | |
| APPV'D | | | |
| MFG | | | |
| Q.A | | | |
| | | | |
| | | | |
| | | | |
| | | | |

Marike[®]

MATERIAL:

DWG NO.

FACTOR-1000L-2D

A4

WEIGHT:

SCALE: 1:20

SHEET 1 OF 1

4 3 2 1