

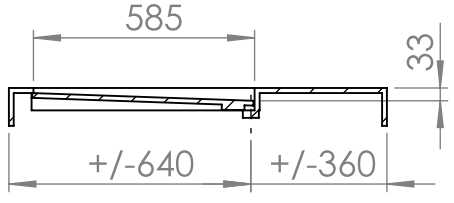
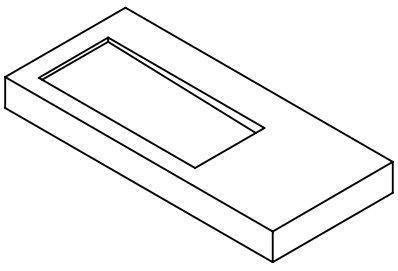
4 3 2 1

F

F

E

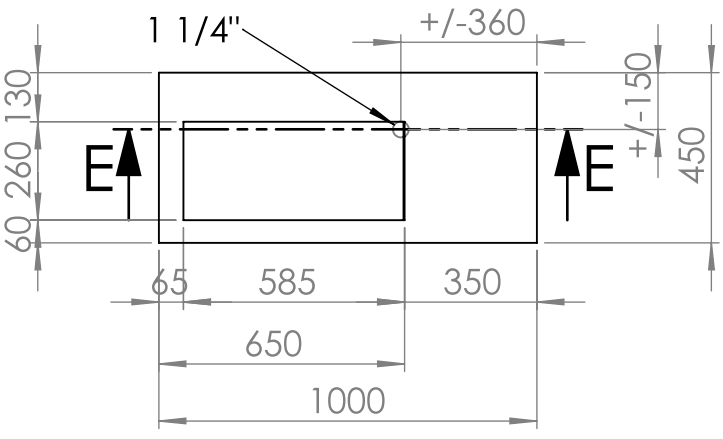
E



SECTION E-E

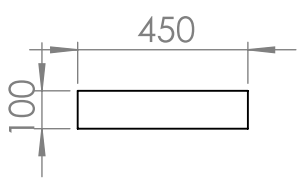
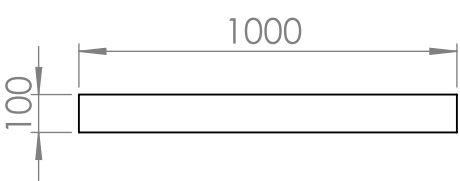
D

D



C

C



B

B

UNLESS OTHERWISE SPECIFIED:
DIMENSIONS ARE IN MILLIMETERS
SURFACE FINISH:
TOLERANCES:
LINEAR:
ANGULAR:

FINISH:

DEBURR AND
BREAK SHARP
EDGES

DO NOT SCALE DRAWING

REVISION

	NAME	SIGNATURE	DATE
DRAWN			
CHK'D			
APPV'D			
MFG			
Q.A			

Marike[®]

MATERIAL:

DWG NO.

Factor-1000-R

A4

WEIGHT:

SCALE: 1:20

SHEET 1 OF 1

4 3 2 1

A

A