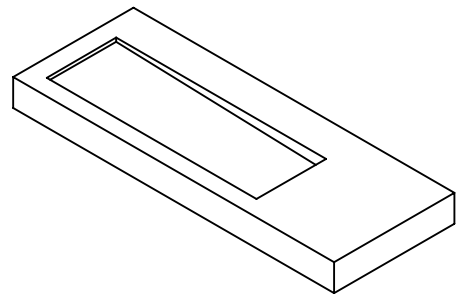


4 3 2 1

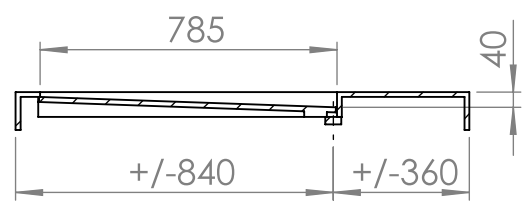
F

F



E

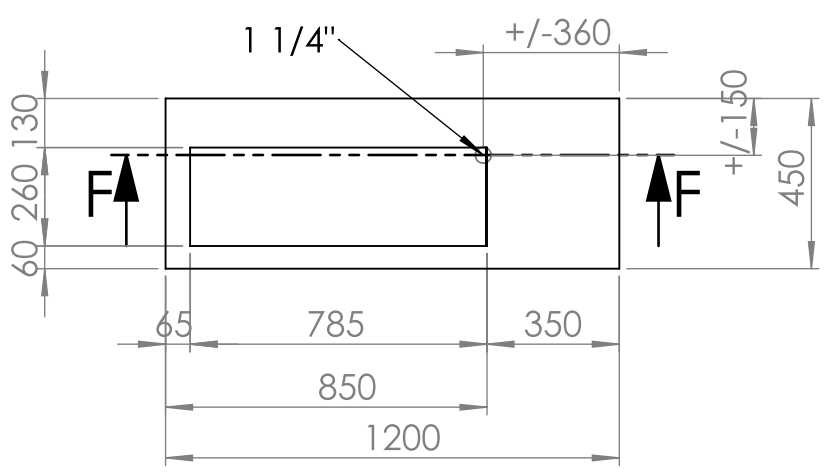
E



SECTION F-F

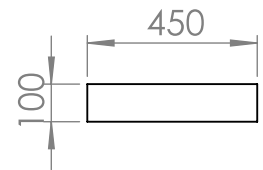
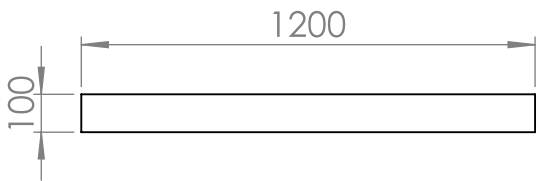
D

D



C

C



B

B

UNLESS OTHERWISE SPECIFIED:  
DIMENSIONS ARE IN MILLIMETERS  
SURFACE FINISH:  
TOLERANCES:  
LINEAR:  
ANGULAR:

FINISH:

DEBURR AND  
BREAK SHARP  
EDGES

DO NOT SCALE DRAWING

REVISION

A

A

	NAME	SIGNATURE	DATE
DRAWN			
CHK'D			
APPV'D			
MFG			
Q.A			

*Marike*<sup>®</sup>

MATERIAL:

DWG NO.

Factor-1200-R

A4

WEIGHT:

SCALE: 1:20

SHEET 1 OF 1

4 3 2 1