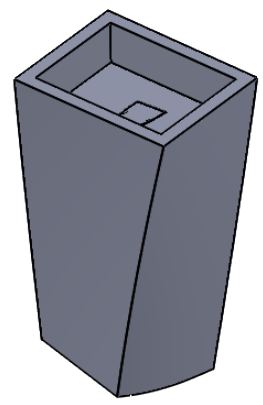
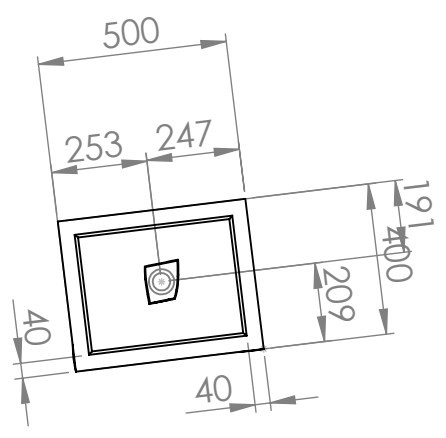


4 3 2 1

F

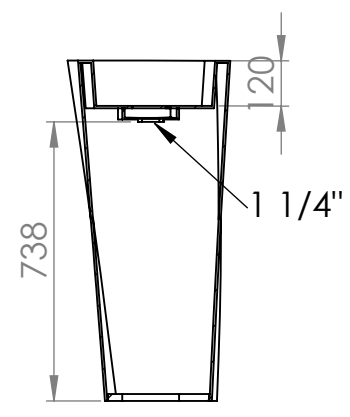
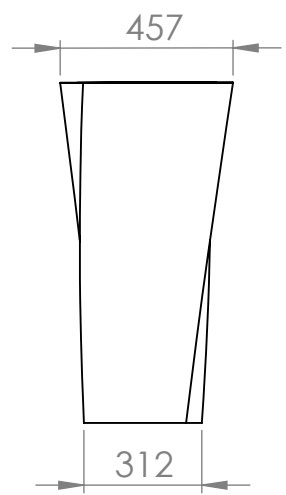
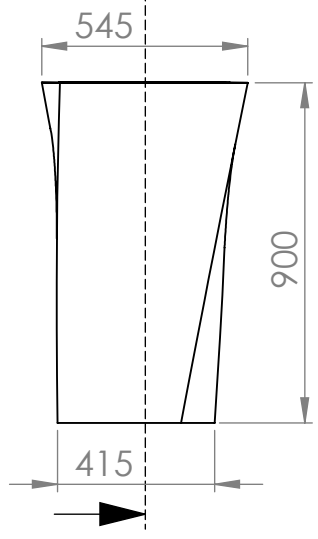
F



E

E

A

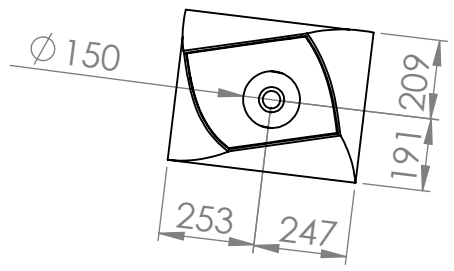


SECTION A-A

D

D

A



B

B

UNLESS OTHERWISE SPECIFIED:
 DIMENSIONS ARE IN MILLIMETERS
 SURFACE FINISH:
 TOLERANCES:
 LINEAR:
 ANGULAR:

FINISH:

DEBURR AND
 BREAK SHARP
 EDGES

DO NOT SCALE DRAWING

REVISION

	NAME	SIGNATURE	DATE	
DRAWN				
CHK'D				
APPV'D				
MFG				
Q.A				

TITLE:

MATERIAL:

DWG NO.

Marike - Novillo 900

A4

WEIGHT:

SCALE:1:20

SHEET OF 1

4 3 2 1

A

A