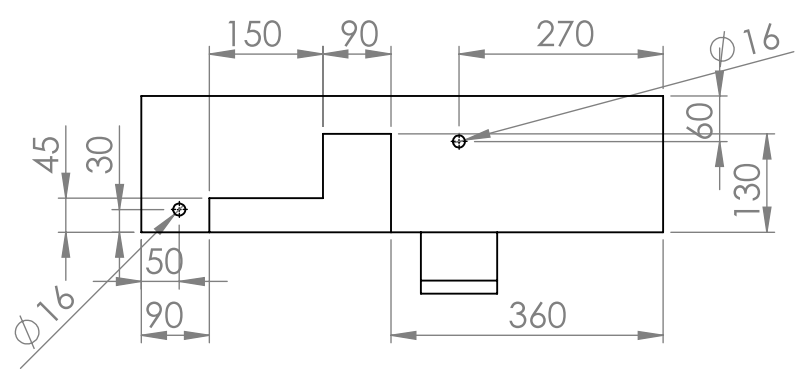
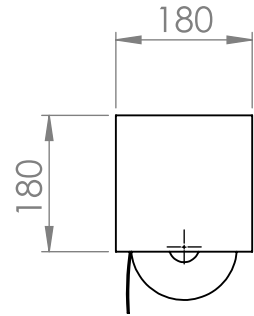
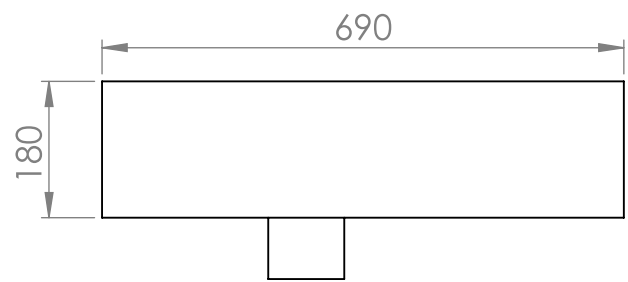
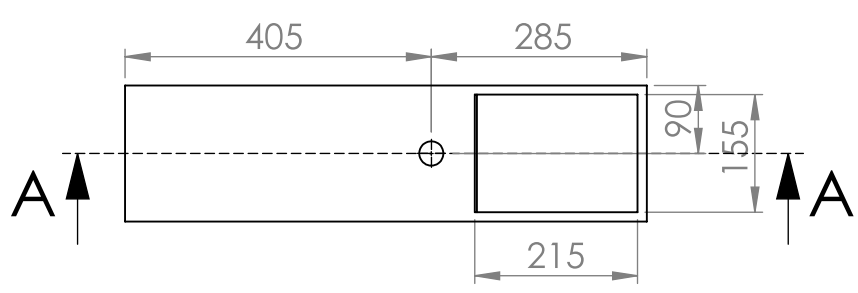
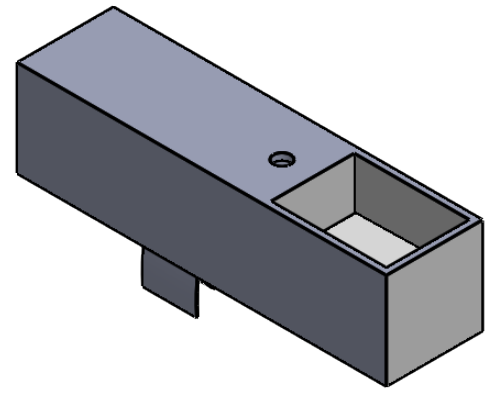


SECTION A-A



UNLESS OTHERWISE SPECIFIED:  
 DIMENSIONS ARE IN MILLIMETERS  
 SURFACE FINISH:  
 TOLERANCES:  
 LINEAR:  
 ANGULAR:

FINISH:

DEBURR AND  
 BREAK SHARP  
 EDGES

DO NOT SCALE DRAWING

REVISION

NAME	SIGNATURE	DATE
DRAWN		
CHK'D		
APPV'D		
MFG		
Q.A		

MATERIAL:

WEIGHT:

TITLE:

*Marike*<sup>®</sup>

DWG NO.

Marike - Pixel 002 - RIGHT

SCALE: 1:10

SHEET 1 OF 1