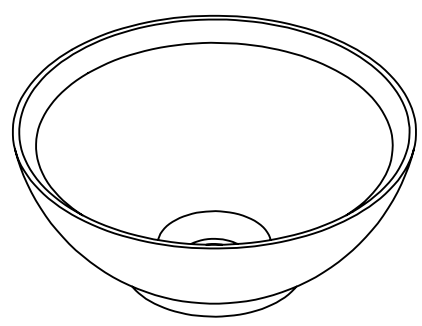
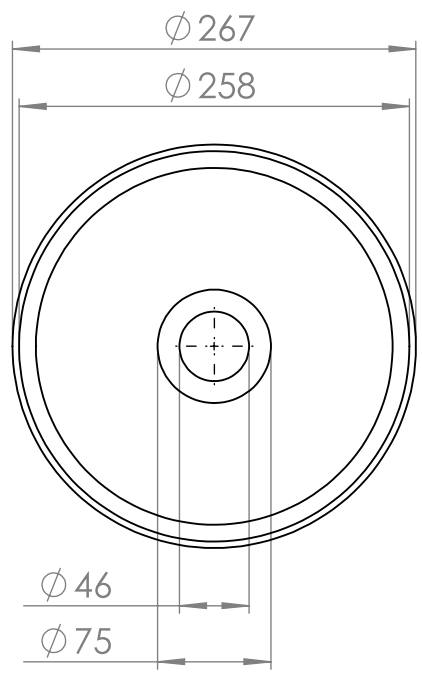


4 3 2 1

F

F

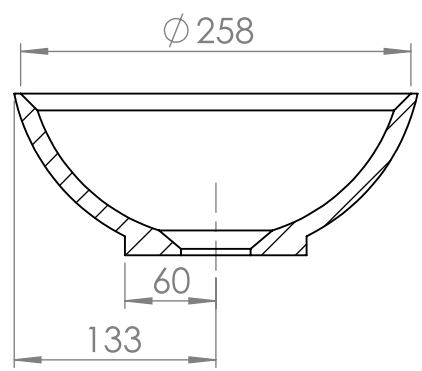
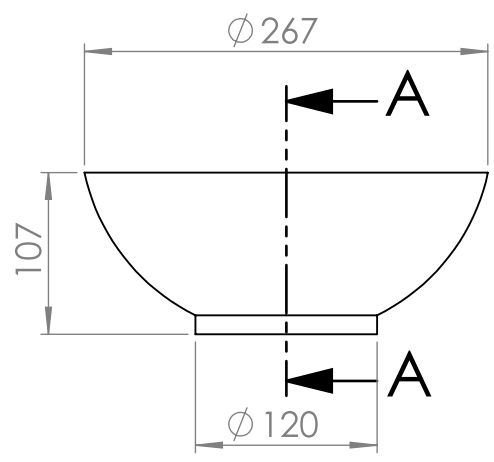


E

E

D

D



SECTION A-A

C

C

B

B

UNLESS OTHERWISE SPECIFIED:
DIMENSIONS ARE IN MILLIMETERS
SURFACE FINISH:
TOLERANCES:
LINEAR:
ANGULAR:

FINISH:

DEBURR AND
BREAK SHARP
EDGES

DO NOT SCALE DRAWING

REVISION

	NAME	SIGNATURE	DATE
DRAWN			
CHK'D			
APPV'D			
MFG			
Q.A			

TITLE:
Marike[®]

DWG NO. Marike-SPRING

SCALE: 1:5

SHEET 1 OF 1

A4

A

A

4 3 2 1