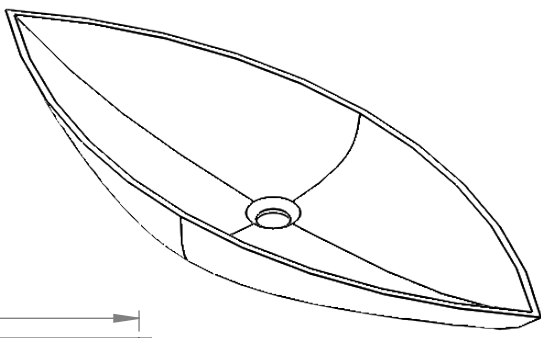


4 3 2 1

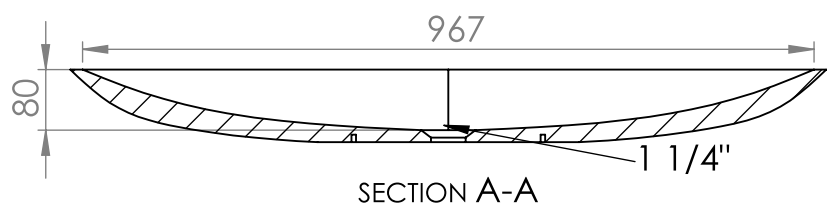
F

F



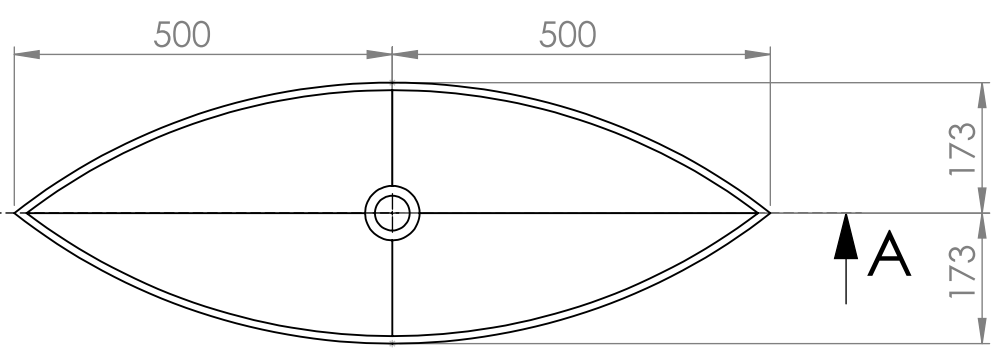
E

E



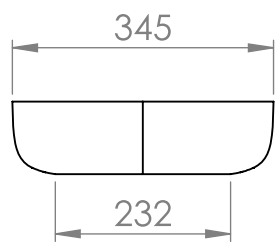
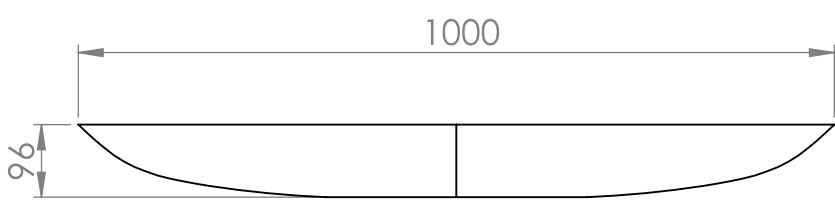
DA

D



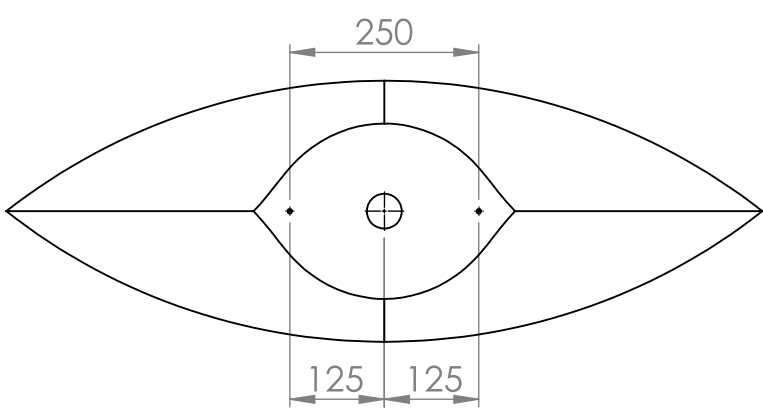
C

C



B

B



UNLESS OTHERWISE SPECIFIED:  
DIMENSIONS ARE IN MILLIMETERS  
SURFACE FINISH:  
TOLERANCES:  
LINEAR:  
ANGULAR:

FINISH:

DEBURR AND  
BREAK SHARP  
EDGES

DO NOT SCALE DRAWING

REVISION

A

A

	NAME	SIGNATURE	DATE
DRAWN			
CHK'D			
APPV'D			
MFG			
Q.A			

TITLE:  
*Marike*<sup>®</sup>

DWG NO.  
Marike - Solo 1000

A4

SCALE: 1:20

SHEET 1 OF 1

4 3 2 1