

4 3 2 1

F

F

E

E

D

D

C

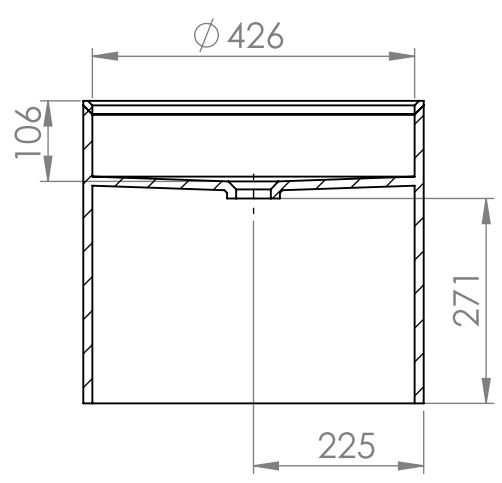
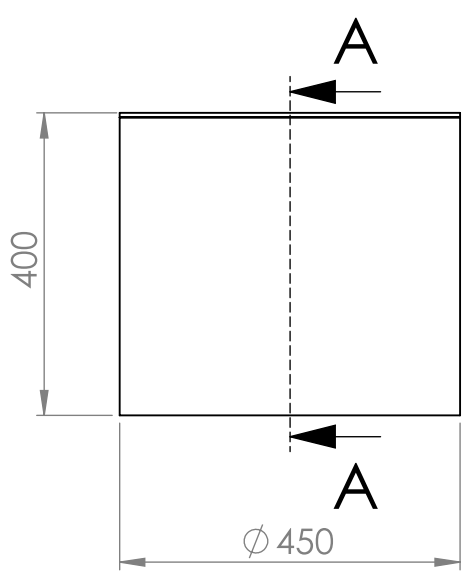
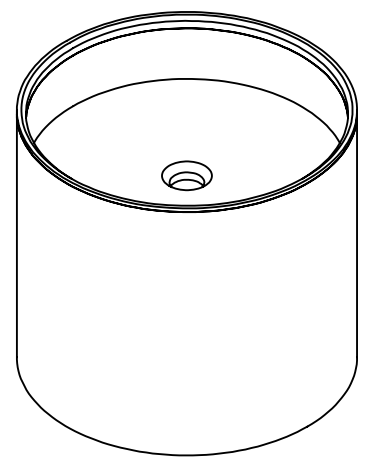
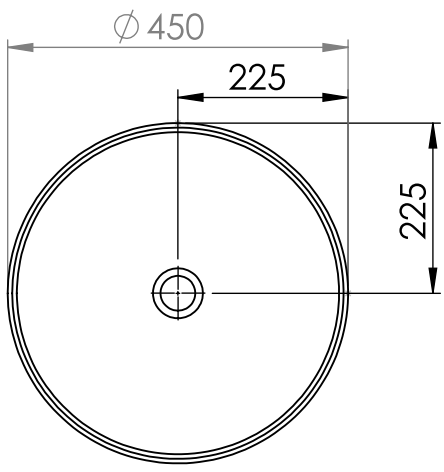
C

B

B

A

A



SECTION A-A

UNLESS OTHERWISE SPECIFIED:  
DIMENSIONS ARE IN MILLIMETERS  
SURFACE FINISH:  
TOLERANCES:  
LINEAR:  
ANGULAR:

FINISH:

DEBURR AND  
BREAK SHARP  
EDGES

DO NOT SCALE DRAWING

REVISION

	NAME	SIGNATURE	DATE
DRAWN			
CHK'D			
APPV'D			
MFG			
Q.A			

TITLE:  
*Marike*<sup>®</sup>

DWG NO.  
Marike - Tueba 400

A4

SCALE:1:10

SHEET 1 OF 1

4 3 2 1