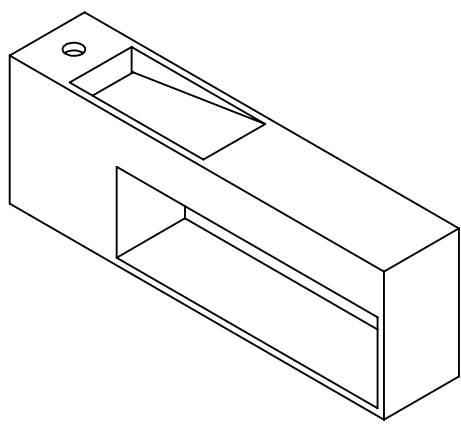
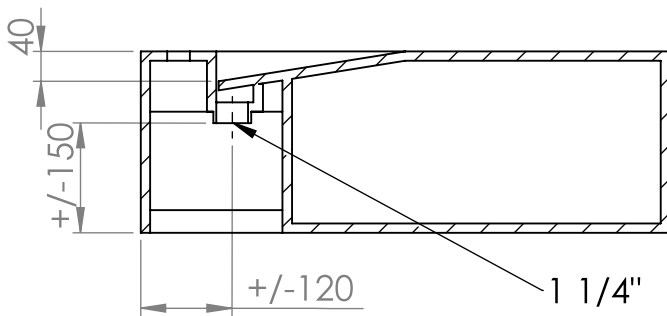


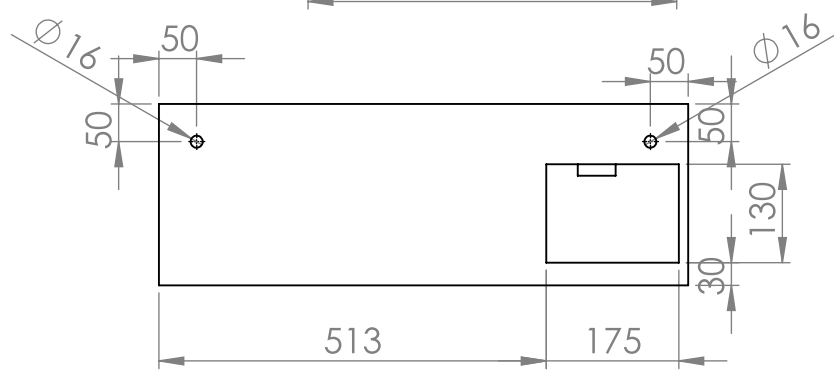
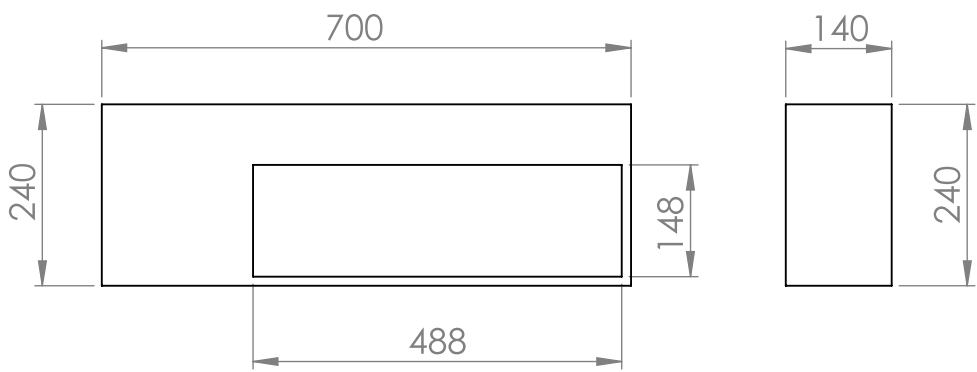
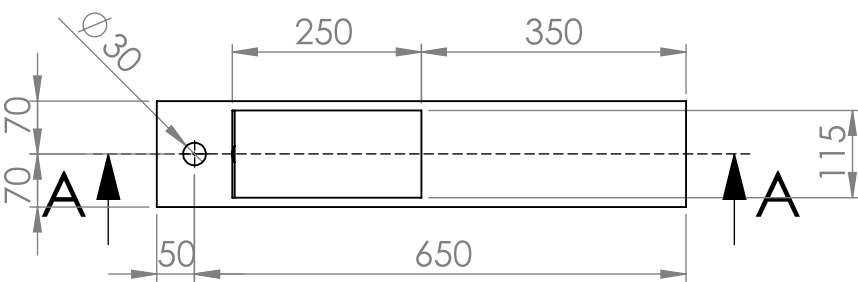
4 3 2 1

F  
E  
D  
C  
B  
A

F  
E  
D  
C  
B  
A



SECTION A-A



UNLESS OTHERWISE SPECIFIED:  
DIMENSIONS ARE IN MILLIMETERS  
SURFACE FINISH:  
TOLERANCES:  
LINEAR:  
ANGULAR:

FINISH:

DEBURR AND  
BREAK SHARP  
EDGES

DO NOT SCALE DRAWING

REVISION

NAME	SIGNATURE	DATE
DRAWN		
CHK'D		
APPV'D		
MFG		
Q.A		

TITLE:  
*Marike*<sup>®</sup>

DWG NO. Marike - Flaq 700 - Left A4

WEIGHT:

SCALE:1:10

SHEET 1 OF 1

4 3 2 1