

4 3 2 1

F

F

E

E

D

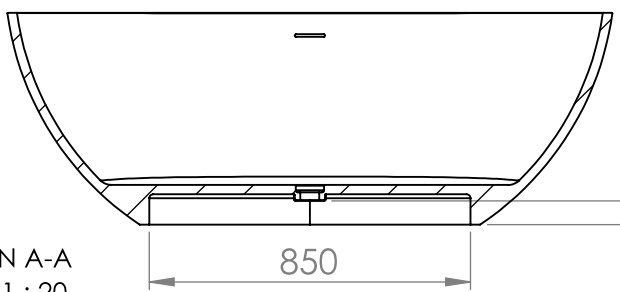
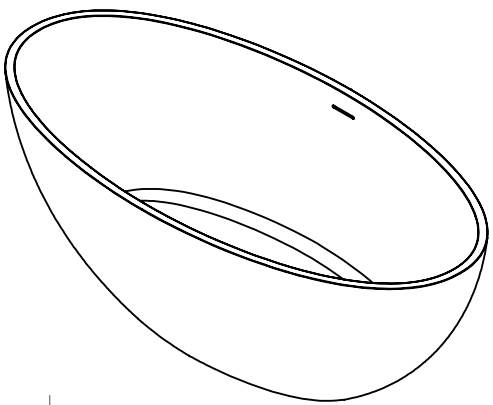
D

C

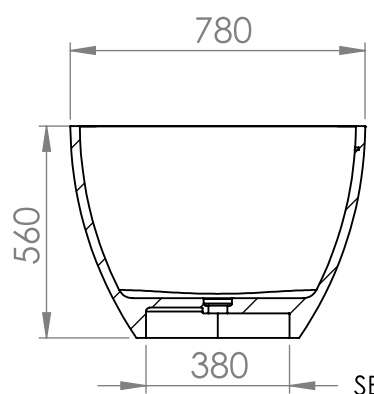
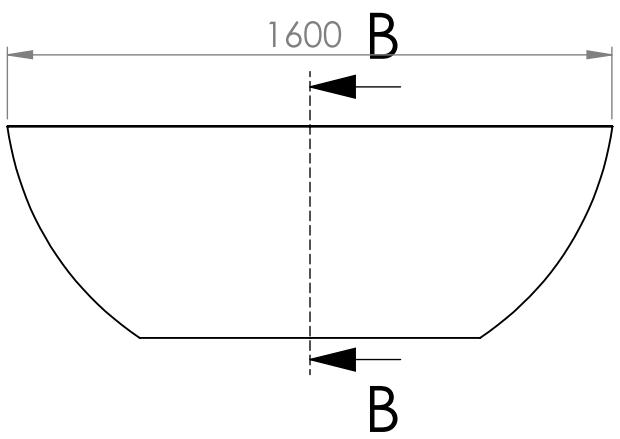
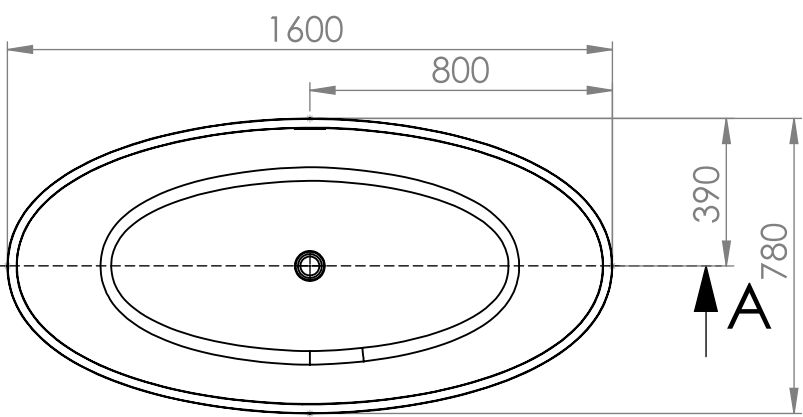
C

B

B



SECTION A-A  
SCALE 1 : 20



SECTION B-B  
SCALE 1 : 20

UNLESS OTHERWISE SPECIFIED:  
DIMENSIONS ARE IN MILLIMETERS  
SURFACE FINISH:  
TOLERANCES:  
LINEAR:  
ANGULAR:

FINISH:

DEBURR AND  
BREAK SHARP  
EDGES

DO NOT SCALE DRAWING

REVISION

NAME	SIGNATURE	DATE
DRAWN		
CHK'D		
APPV'D		
MFG		
Q.A		

TITLE:  
*Marike*<sup>®</sup>

DWG NO.  
**Marike - SOFT - 1600** A4

SCALE: 1:50

SHEET 1 OF 1

4 3 2 1

A

A