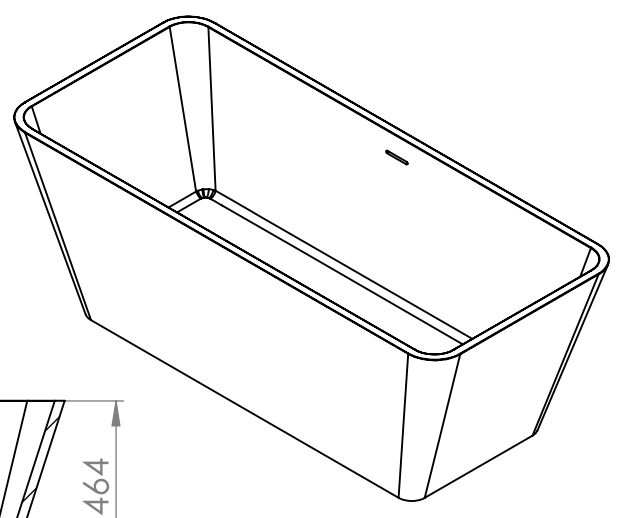


4 3 2 1

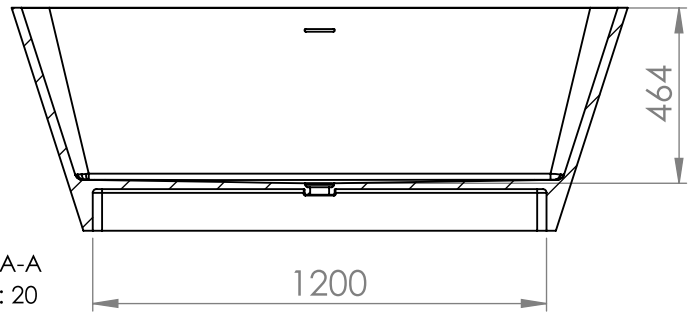
F

F



E

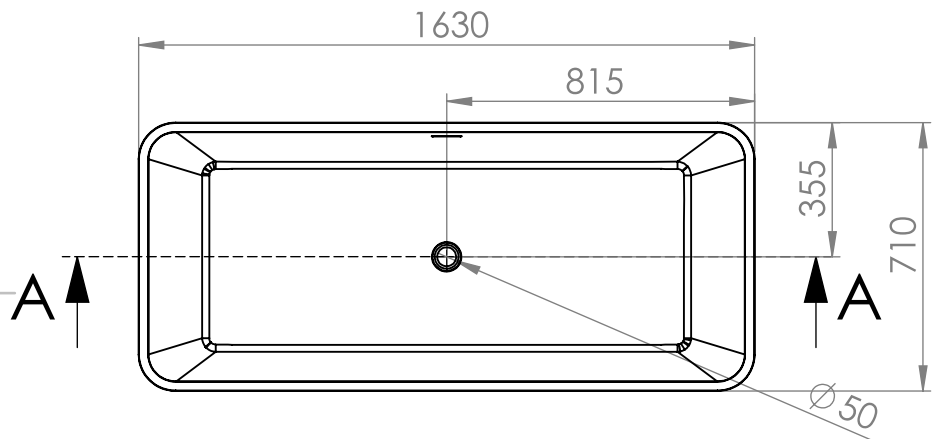
E



SECTION A-A
SCALE 1 : 20

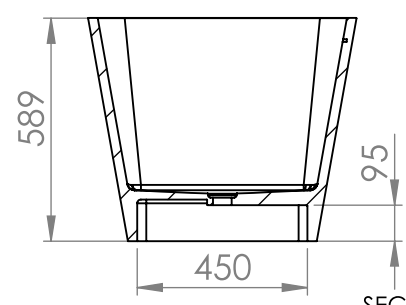
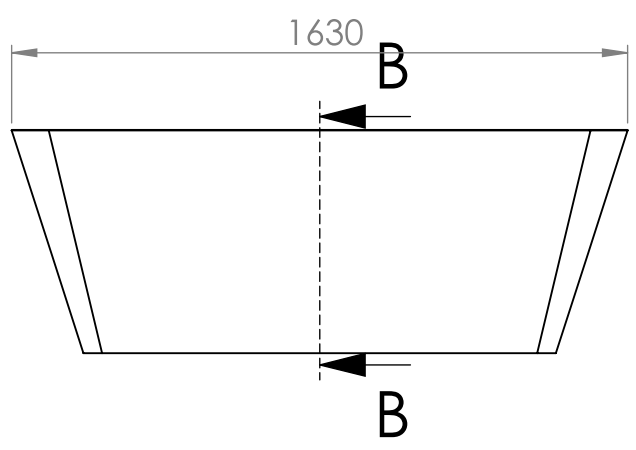
D

D



C

C



SECTION B-B
SCALE 1 : 20

B

B

UNLESS OTHERWISE SPECIFIED:
DIMENSIONS ARE IN MILLIMETERS
SURFACE FINISH:
TOLERANCES:
LINEAR:
ANGULAR:

FINISH:

DEBURR AND
BREAK SHARP
EDGES

DO NOT SCALE DRAWING

REVISION

	NAME	SIGNATURE	DATE
DRAWN			
CHK'D			
APPV'D			
MFG			
Q.A			

TITLE:
Marike®

DWG NO.
Marike - Summit 163

SCALE: 1:50

SHEET 1 OF 1

A4

A

A

4 3 2 1